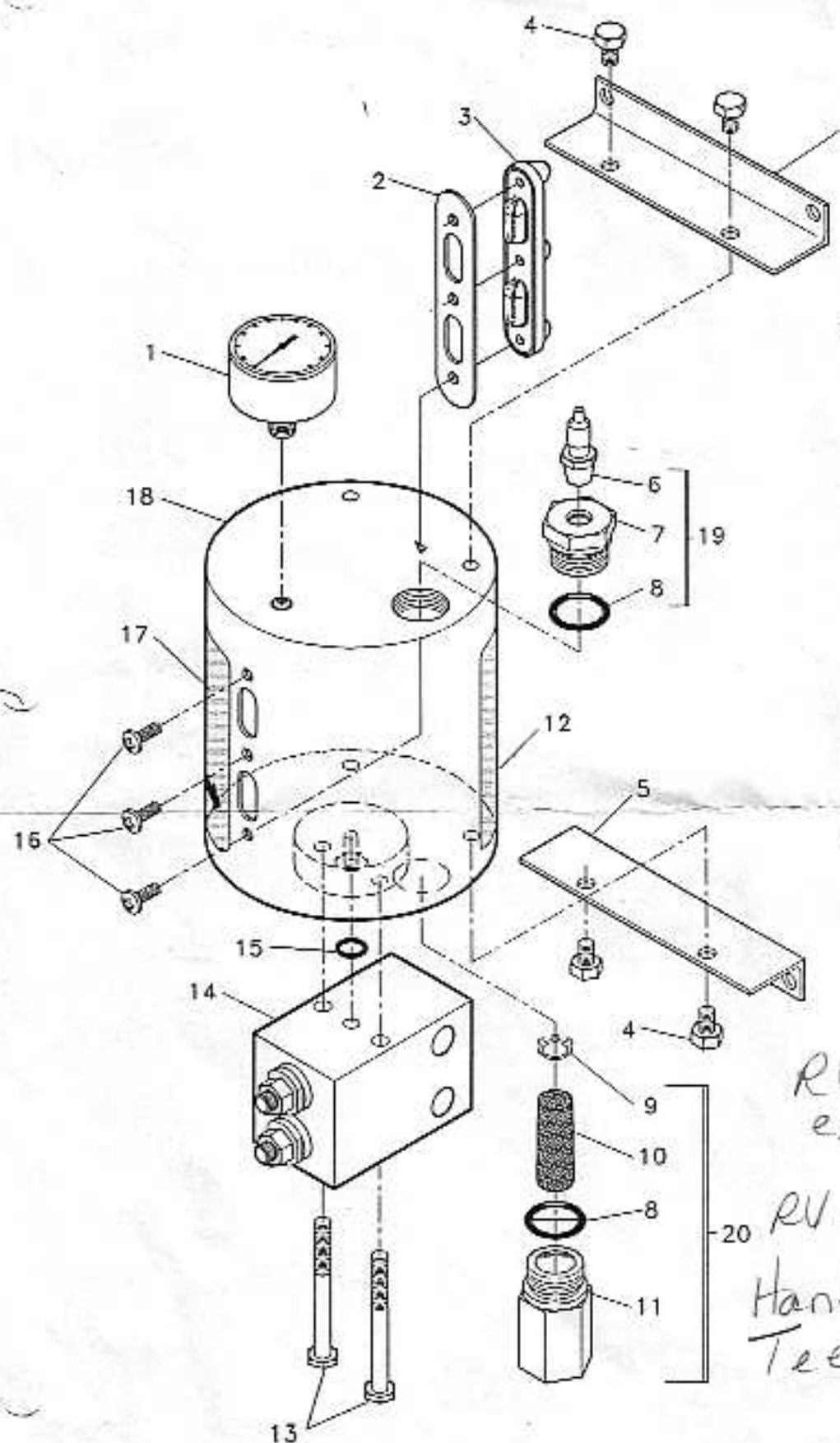


Model RV-60  
Reservale



Item	Description	Part No.	Qty
1.	Pressure Gage	160042	1
2.	Gasket	310015	1
3.	Level Indicator	150078	1
4.	Screw	240407	4
5.	Bracket	150264	2
6.	Drill Valve	160041	1
7.	Plug	380194	1
8.	O-Ring	211910	2
9.	Retaining Ring	300036	1
10.	Filter Element	160103	1
11.	Plug	380184	1
12.	Decal	180004	1
13.	Screw	240327	2
14.	Relief Valve	860028	1
15.	O-Ring	211012	1
16.	Screw	240437	3
17.	Decal	180005	1
18.	Tank Assembly	*	1
19.	Plug Assembly	380020	1
20.	Filter Assembly	380100	1

\* Contact Hynautic

*RV-55 same as RV-60  
except relief valve*

*RV-55 # 860047 (relief  
valve)*

*Hand pump # 860022*

*Tee # 690561*



Marine Systems and Products - 1579 Barber Road, Sarasota, FL 34240 Tel. 941-379-0500 FAX 941-379-0496



184025